



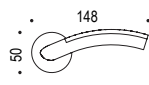


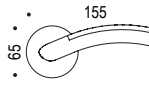
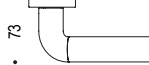
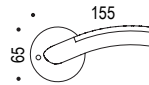
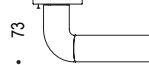
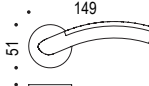
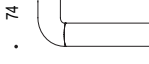
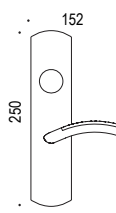
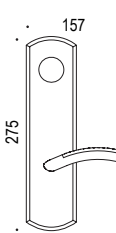
Milla, LC31, Polished Brass / Satin Gold
Designed by Luca Colombo
Material: Brass.



PC / SC
Polished Chrome
/ Satin Chrome



PB / SG
Polished Brass
/ Satin Gold

<p>Tubular and European Mortise Surface Mounted Applications</p> <p>For Tubular Specification Refer to R series - European Tubular Mounting section.</p> <p>For European Mortise Specification Refer to R series - European Mortise Mounting section - M300 Series.</p> <p>For Magnetic European Mortise Specification Refer to R series - Magnetic European Mortise Mounting section - M400 Series.</p>	<p>LC31R</p>  <p>CD43</p> 	<p>Privacy Kit Supplied: CD49BZG</p> 
<p>North American 2 1/8" Hole Prep Applications</p> <p>For Tubular Specification Refer to NA series - Tubular Mounting section.</p>	<p>PASSAGE LC31NAPA</p>  	<p>PRIVACY LC31NAPR</p>  
<p>Heavy Duty Tubular or Mortise thru-bolted applications.</p> <p>For Tubular Specification Refer to HD series - Tubular Mounting section.</p> <p>For Mortise Specification Refer to HD series - Mortise Lock Mounting section.</p>	<p>LC31HD</p>  	<p>For Mortise with plate Specification Refer to P200 series - Mortise Lock Mounting section.</p> <p>LC31P202</p> 
<p>Suite Entry Keyed Entry Tubular or Mortise</p> <p>For Tubular Specification Refer to P300 series - Tubular Suite Entry Mounting section.</p> <p>For Mortise Specification Refer to P300 series - Mortise Suite Entry Mounting section.</p>	<p>LC31P302</p> 	<p>Optional plate: LC31P300</p> 